

MAINTENANCE MANUAL

McIntosh

MC275

STEREO POWER AMPLIFIER

(Serial No.'s 275-10001 to 275-10147
and 100E1 & above)

VOLTAGE AND RESISTANCE CHART

Tube	Pin No.	DC Volts No. Signal	AC Volts at rated output	Resistance in Ohms Unit Off
12AX7 (V1)	1	100	2.1	160K*
	2	0	.47	1M
	3	.95	.44	3.3K
	4 & 5	0	0	0
	6	100	2.1	160K*
	7	0	.47	1M
	8	.95	.44	3.3K
	9	0	6.3	
				12
12AU7 (V2 or V5)	1	240	12	160K*
	2	100	2.1	18K
	3	106	.96	0
	4 & 5	0	0	40K*
	6	240	12	2.4M**
	7	84	0	18K
	8	106	.96	0
	9	0	6.3	
				152
12BH7 (V3 or V6)	1	365	152	210K
	2	22	12	2.7K
	3	40	.7	0
	4 & 5	0	0	0
	6	365	152	12K
	7	22	12	210K
	8	40	.7	2.7K
	9	0	6.3	0
				112
12AZ7 (V4 or V7)	1	205	112	1M
	2	-57	152	170K
	3	-57	149	0
	4 & 5	0	0	0
	6	205	112	38**
	7	-57	152	1M
	8	-57	149	170K
	9	0	6.3	0
				0 or 6.3
KT88/6550 (V8, V9, V10, V11)	1	0	0 or 6.3	0
	2	0	116	38
	3	450	112	260
	4	450	149	170K
	5	-57		
	6	0	6.3 or 0	6
	7	0	116	15
	8	.6		

*This resistance measured with condenser C25A shorted to ground.
 **This resistance measured with condenser C24B shorted to ground.
 High impedance VTVM is used to measure the operating voltages.

600A/70.7 OUTPUT RECEPICAL CONNECTIONS

PIN 1-GROUND, 70.7 V RETURN, AND 600 A C.T.

PINS 1 AND 7- LEFT 70.7 V OUTPUT

PINS 2 AND 3 - LEFT 600 A OUTPUT

PINS 1 AND 8 - RIGHT 70.7 V OUTPUT

PINS 4 AND 5- RIGHT 600 A OUTPUT

SINGLE CHANNEL (MONO) OUTPUT NOTE

**FOR SINGLE CHANNEL OUTPUT
 PARALLEL OR SERIES CONNECT
 THE L AND R OUTPUTS TO OBTAIN
 DESIRED OUTPUT IMPEDANCE.**

*** 5% TOLERANCE RESISTORS**

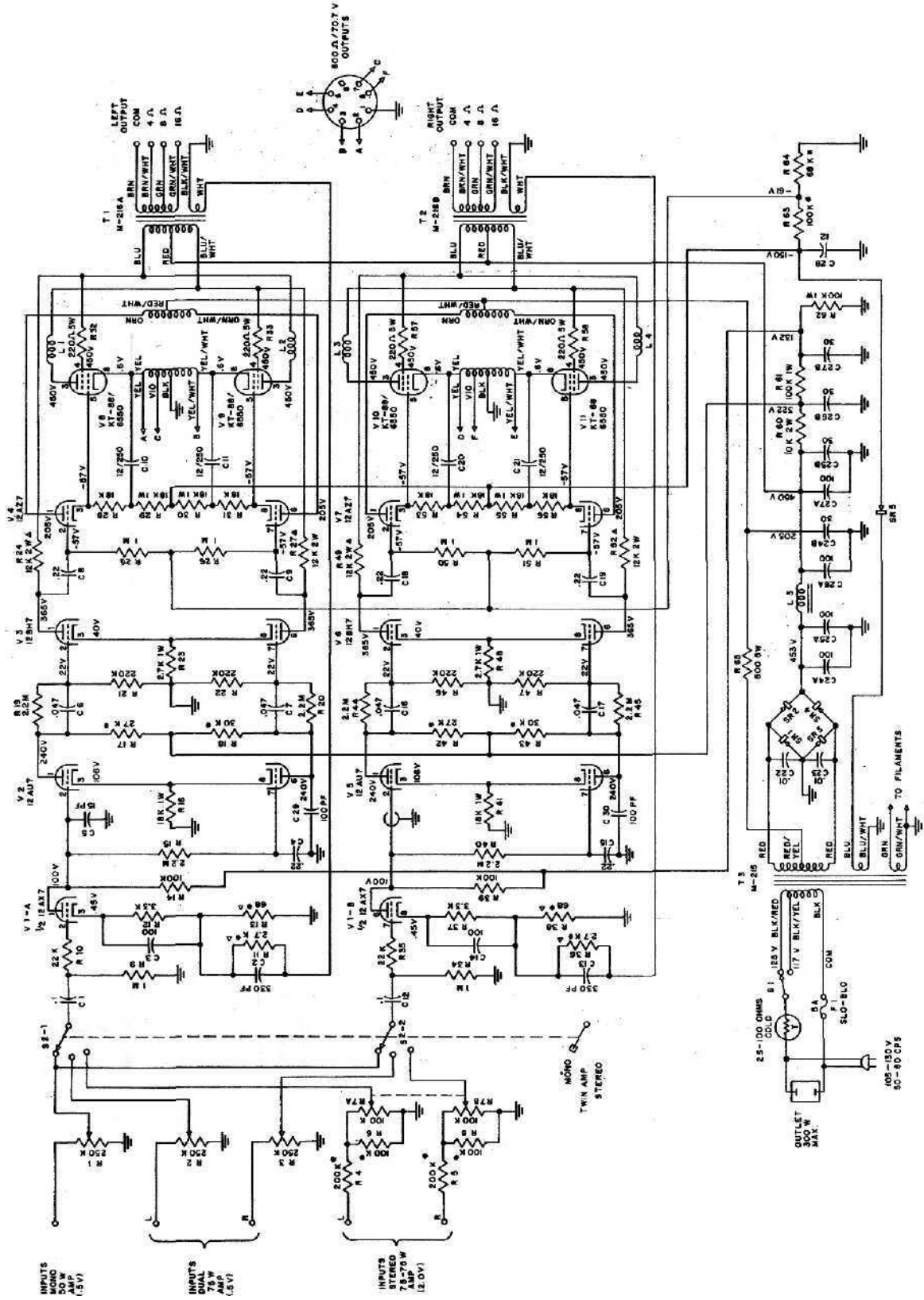
**A FOLLOWING COMPONENTS ARE
 MATCHED TO 1%:**

R11 AND R36

R13 AND R38

R24 AND R27

R49 AND R52



SC 125-109C

Special components used in the MC275 are listed below. These components are designed and built specifically for the MC275. They may be purchased directly from McIntosh Laboratory by ordering from the Service Department. Be sure to mention "Schematic No.," description, and model and serial number for your amplifier when ordering parts.

SCHEMATIC NO.	DESCRIPTION
C24,C25,C26,C27 L1, L2, L3, L4 L5 R1, R2, R3 R7	Filter Capacitor 100/30 mfd 500/450V RF Choke Filter Choke Gain Control, 250K Balance Control
R59	Thermistor
S2	Input Selector Switch
SR1,SR2,SR3,SR4 SR5	Silicon Rectifier, 600 PIV at 500 MA Selenium Rectifier, 400 PIV at 75 MA
T1	Output Transformer, Type M-216A
T2	Output Transformer, Type M-216B
T3	Power Transformer, Type M-215

McIntosh LABORATORY, INC.

2 CHAMBERS STREET, BINGHAMTON, N. Y.

Made in U.S.A.

Phone-Area Code 607-723-5491